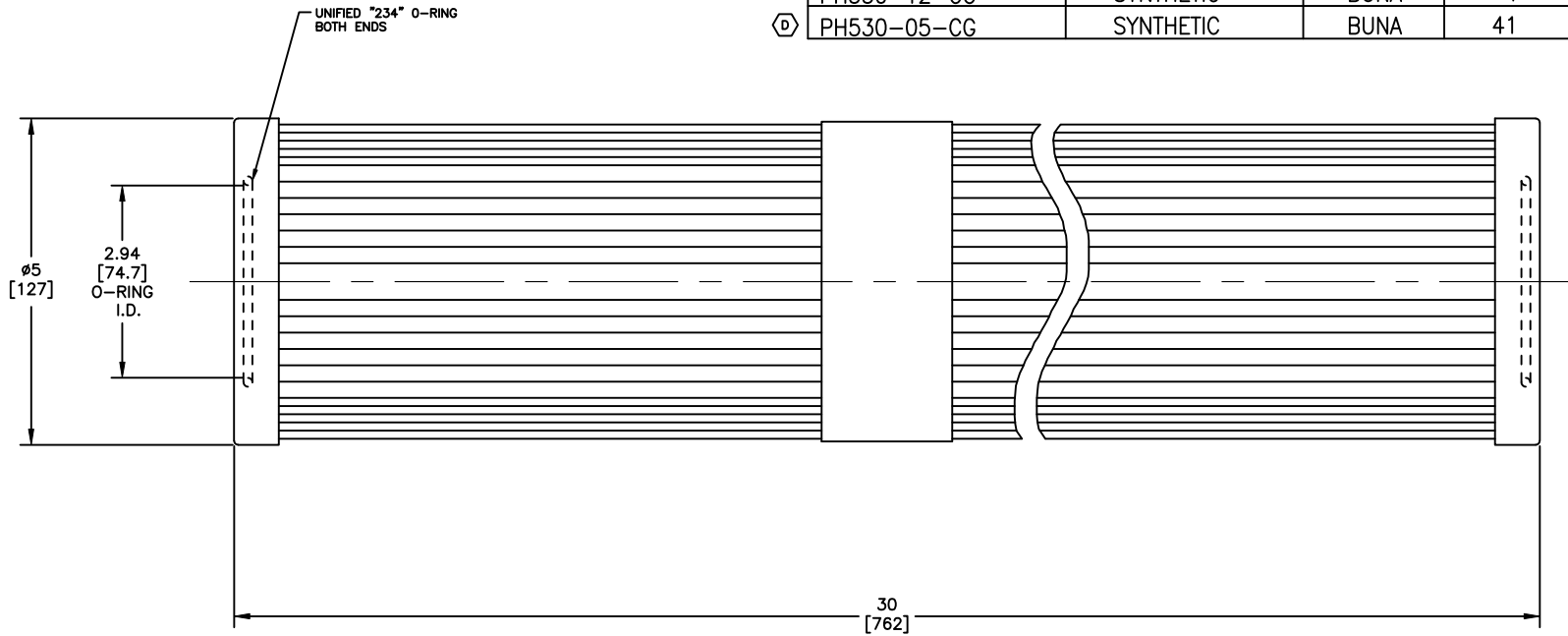


	PART NUMBER	MEDIA MATERIAL	O-RING MATERIAL	FILTRATION RATING	
				99.5% (Bx=200)	99.9% (Bx=1000)
	PH530-03-CGV	SYNTHETIC	VITON	25	27
(A)	PH530-12-CGV	SYNTHETIC	VITON	4	6
(B)	PH530-05-CGV	SYNTHETIC	VITON	41	43
(C)	PH530-01-CGV	SYNTHETIC	VITON	15	17
	PH530-01-CG	SYNTHETIC	BUNA	15	17
	PH530-03-CG	SYNTHETIC	BUNA	25	27
	PH530-11-CG	SYNTHETIC	BUNA	10	12
	PH530-12-CG	SYNTHETIC	BUNA	4	6
(D)	PH530-05-CG	SYNTHETIC	BUNA	41	43



PHYSICAL CHARACTERISTICS:

- 1- MOLDED ENDS WITH CORROSION RESISTANT METAL O-RING INSERTS
- 2- CORROSION RESISTANT METAL CENTERTUBE
- 3- MAXIMUM OPERATING TEMPERATURE IS 250° F
- 4- 100 PSI COLLAPSE STRENGTH

REV	DESCRIPTION	BY	DATE	APP
D	ADDED PH530-05-CG	ROC	10/20/15	LTH
C	ADDED PH530-01-CGV	ROC	09/23/10	LTH
B	ADDED PH530-05-CGV	ROC	11/19/09	LTH
A	ADDED PH530-12-CGV	ROC	07/14/09	LTH
LTR	DESCRIPTION	BY	DATE	APP

<small>THIS DOCUMENT CONTAINS PROPRIETARY INFORMATION AND SUCH INFORMATION MAY NOT BE DISCLOSED TO OTHERS OR USED FOR ANY PURPOSE WITHOUT WRITTEN PERMISSION FROM THE HILLARD CORP. © COPYRIGHT 2008 THE HILLARD CORPORATION ALL RIGHTS RESERVED</small>	<small>UNLESS OTHERWISE SPECIFIED INCHES</small> <input checked="" type="checkbox"/> INCHES <input type="checkbox"/> MILLIMETERS	<small>THE HILLARD CORPORATION 100 WEST FOURTH STREET ELMSA, NEW YORK 14002</small>	DRAWN	BY	DATE
	<small>UNLESS OTHERWISE SPECIFIED BREAK CORNERS - MAX</small> <input checked="" type="checkbox"/> MAX <input type="checkbox"/> RADIUS		CHECKED	LTH	10/22/07
	<small>UNLESS OTHERWISE SPECIFIED FRACTIONAL DIMENSIONS - 1/16 DECIMAL DIMENSIONS - .06 ANGLES - 2°</small>		APPROVED	LTH	10/22/07
	<small>UNLESS OTHERWISE SPECIFIED DIMENSIONS ARE IN INCHES [] DIMENSIONS ARE IN MM</small>		SIMILAR TO:		
<small>SCALE FULL</small>			REVISIONS DATA SHEET PH530-XX-CG PLEATED CARTRIDGE		
SHEET <u>1</u> OF <u>1</u>			DD-700-242 C		